

SP-151C-1J64

Industrial Fanless 15" Panel PC, w/ Intel® Elkhart Lake Celeron J6412 Processor



Features

- Intel® Celeron® J6412 CPU Elkhart Lake(2.0 GHz/2.6GHz)
- 15.6 inches highlight LED panel, front panel support IP66
- Industrial-grade 10 points project capacitive touch screen
- Support Mini-PCIe/M.2 extension of multiple modules
- Support dual GbE LAN
- Support remote ON-OFF
- Grounding protection for product shell
- Support 1 x 2.5 inch HDD/SSD expansion
- Support standard VESA and panel mount



HDMI

Over-Voltage
Protection

USB 3.1



-10~60°C

Wide Voltage
RangeReserved Power
Protection

System

CPU	Intel® Celeron® J6412 CPU Elkhart Lake (2.0 GHz/2.6GHz)
Memory	1 x DDR4 2133/2400/3200hz SO-DIMM slot, up to 32GB 4GB DDR4 SO-DIMM pre-installed*(CTOS)
Graphics	Intel® UHD Graphics for 10 th Gen Intel® Processors
LAN chipset	2 x Intel® I226-V 2.5GbE controllers
Watchdog Timer	Programmable 255 levels timer interval, from 1~255 sec/min

Storage

Device	1 x M.2 2242 SSD slot 128GB M.2 SSD pre-installed*(CTOS)
--------	---

Audio

Type	1 x Audio(Line-out&Mic-in 2 in 1) Realtek® ALC888S HD Audio codec
Speaker	2 x 4Ω3W speaker

LCD Display

Size/Type	15.6" TFT LCD Panel
Max. Resolution	1920(H) x 1080(V)
Ratio	16:9
Luminance	450 cd/m ²
Contrast Ratio	800:1
Backlight	LED Backlight
Backlight Lifetime	50000 Hrs
Touch Screen	P-cap Multi-Touch
Touch	35,000,000 times
View Angle	CR ≥ 10; θx 178(H)/ θy 178° (V)

Power System

Power Input	DC 12~36V 1 x Power Connector (2P Phoenix)
-------------	---

OS

Windows 10, Linux

Qualification

Certification	CE, FCC
---------------	---------

External I/O

Serial Ports	1 x RS232/RS422/RS485-COM1 1 x RS232(default)/RS485(Jumper)-COM2 1 x RS232-COM3
USB Ports	2 x USB2.0 2 x USB3.1
LAN	2 x RJ45
Video Ports	1 x HDMI (up to 4096x2160@60hz)
Remote On-Off	1 x Remote ON-OFF

Internal I/O

Expansion	1 x Mini-PCIe slot (PCIe/ USB2.0 signal supported) 1 x M.2 2230 slot (PCIe/ USB2.0 signal supported) 1 x M.2 2242 slot(SATA signal supported) 1 x SIM socket for 3G/4G 1 x 8bit GPIO 3.3V(jumper)/5V(default) power 1 x RS232-COM4 2 x RS232(RX/TX)-COM5/6 2 x USB2.0--For Touch 1 x SATA3.0/Power 5V for HDD
-----------	---

Mechanical

Mounting Type	Panel Mount, Wall and VESA-mount (75 x 75mm)
Chassis	Aluminum for front Panel and heat-sink, SECC for Rear Cover
Dimension (W x H x D)	395 x 245.5 x 66mm
Cut out	387 x 237.5mm
Weight (Net)	4.2 kg
Ingress Protection	Front panel IP66

Environmental

Operating Temp.	-10 ~ 60°C
Storage Temp.	-40 ~ 70°C
Operating Humidity	5 ~ 95% (non-condensing)
Random Vibration	5~500Hz, 2Grms operation
Sine Vibration	5~500Hz, 2G Non-operation
Shock	10g 11ms operation, 30g 11ms Non-operation

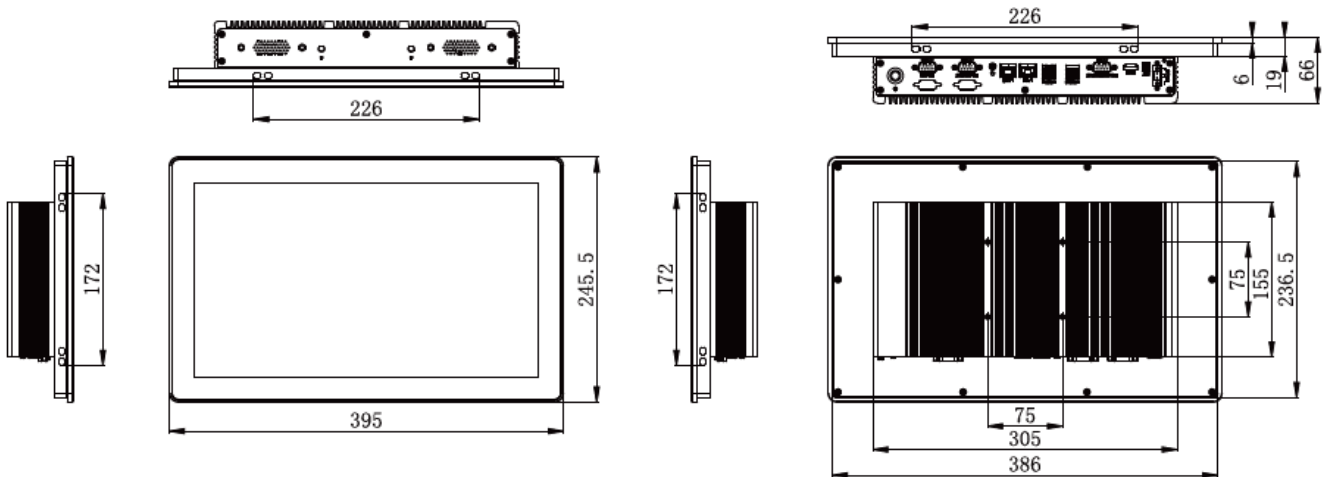
*CTOS means Configure-to-Order Service.

All specifications are subject to change without notice.

Dicoel Srl Viale Spagna,86 20093 Cologno Monzese (MI) - Tel. 022542999 - Email: sales@dicoel.it

SP-151C-1J64

Dimensions



Ordering Information

SP-151C-1J64-R4S128 15.6"(16:9) Panel PC with 4GB RAM & 128GB SSD, Intel Celeron Elkhart Lake J6412, P-touch, HDMI*1, USB*4, LAN*2, COM*3, DC12-36V power input



AC-DC Power Adapter (US) Input : 100V-240V, Output : 12V/5A; W/2-pin Terminal Block with screws, US Plug

AC-DC Power Adapter (EU) Input : 100V-240V, Output : 12V/5A; W/2-pin Terminal Block with screws, EU Plug