

# SP-150R-1J64

Industrial Fanless 15" Panel PC , w/ Intel® Elkhart Lake Celeron J6412 Processor



## Features

- Intel® Celeron® J6412 CPU Elkhart Lake(2.0 GHz/2.6GHz)
- 15 inches highlight LED panel, front panel support IP66
- Industrial-grade true-flat 5-wire resistive touch screen
- Support Mini-PCIe/M.2 extension of multiple modules
- Support dual GbE LAN
- Support remote ON-OFF
- Grounding protection for product shell
- Support standard VESA and panel mount



HDMI



Over-voltage  
Protection



USB 3.1



-10~60°C



Wide Voltage  
Range



Reserved Power  
Protection

## System

CPU	Intel® Celeron® J6412 CPU Elkhart Lake (2.0 GHz/2.6GHz)
Memory	1 x DDR4 2133/2400/3200hz SO-DIMM slot, up to 32GB 4GB DDR4 SO-DIMM pre-installed*(CTOS)
Graphics	Intel® UHD Graphics for 10 <sup>th</sup> Gen Intel® Processors
LAN chipset	2 x Intel® I226-V 2.5GbE controllers
Watchdog Timer	Programmable 255 levels timer interval, from 1~255 sec/min

## Storage

Device	1 x M.2 2242 SSD slot 128GB M.2 SSD pre-installed*(CTOS)
--------	---

## Audio

Type	1 x Audio(Line-out&Mic-in 2 in 1)
Speaker	Realtek® ALC888S HD Audio codec 4Ω3W speakerx2

## LCD Display

Size/Type	15" TFT LCD Panel
Max. Resolution	1024(H) x 768(V)
Ratio	4:3
Luminance	300 cd/m <sup>2</sup>
Contrast Ratio	800:1
Backlight	LED Backlight
Backlight Lifetime	30000 Hrs
Touch Screen	Industrial-grade true-flat 5-wire resistive touch screen
Touch	35,000,000 times
View Angle (U/D/R/L)	80°/80°/80°/80°

## Power System

Power Input	DC 12~36V 1 x Power Connector (2P Phoenix)
-------------	---

## OS

Windows 10, Linux

## Qualification

Certification	CE, FCC
---------------	---------

## External I/O

Serial Ports	1 x RS232/RS422/RS485-COM1 1 x RS232(default)/RS485(Jumper)-COM2 1 x RS232-COM3
USB Ports	2 x USB2.0, 2 x USB3.1
LAN	2 x RJ45
Video Ports	1 x HDMI (up to 4096x2160@60hz)
Remote On-Off	1 x Remote ON-OFF

## Internal I/O

Expansion	1 x Mini-PCIe slot (PCIe/ USB2.0 signal supported) 1 x M.2 2230 slot (PCIe/ USB2.0 signal supported) 1 x M.2 2242 slot(SATA signal supported) 1 x SIM socket for 3G/4G 1 x 8bit GPIO 3.3V(jumper)/5V(default) power 1 x RS232-COM4 2 x RS232(RX/TX)-COM5/6 2 x USB2.0--For Touch 1 x SATA3.0/Power 5V for HDD
-----------	---

## Mechanical

Mounting Type	Panel Mount, Wall and VESA-mount (75 x 75mm)
Chassis	Aluminum for front Panel and heat-sink, SECC for Rear Cover
Dimension (W x H x D)	351.6(W) x 275.6(H) x 68.4(D)mm
Cut out	341.4 x 265.4mm
Weight (Net)	4.5 kg
Ingress Protection	Front panel IP66

## Environmental

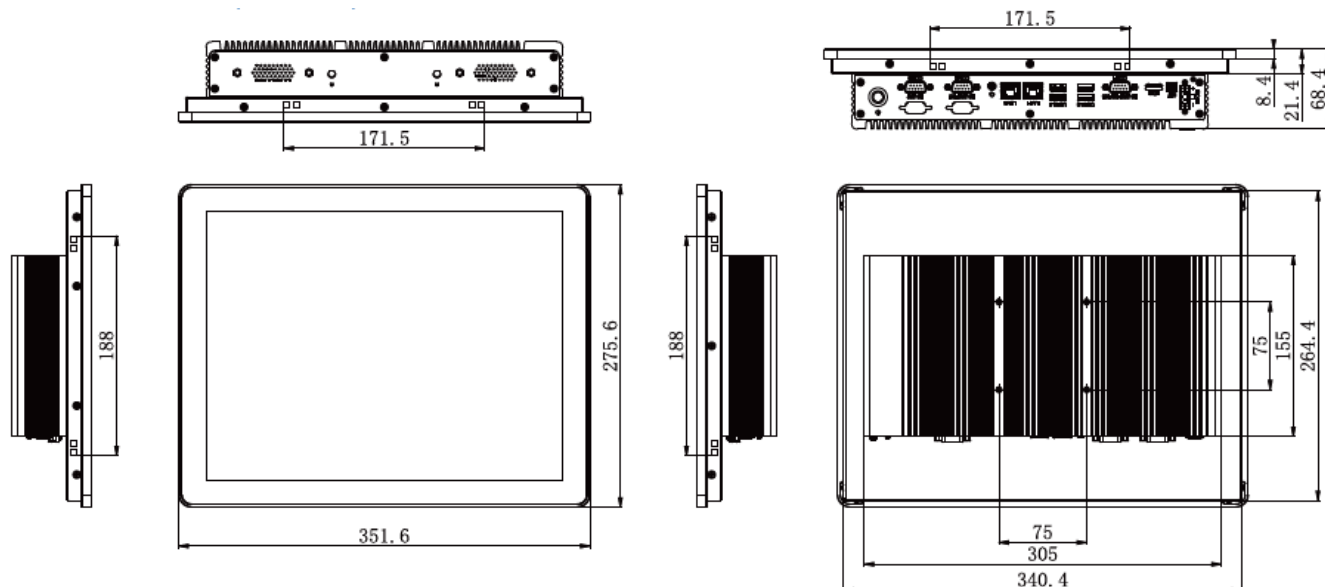
Operating Temp.	-10 ~ 60°C
Storage Temp.	-40 ~ 70°C
Operating Humidity	5 ~ 95% (non-condensing)
Random Vibration	5~500Hz, 2Grms operation
Sine Vibration	5~500Hz, 2G Non-operation
Shock	10g 11ms operation, 30g 11ms Non-operation

\*CTOS means Configure-to-Order Service.

All specifications are subject to change without notice.

# SP-150R-1J64

## Dimensions



## Ordering Information

SP-150R-1J64-R4S128

15" (4:3) Panel PC with 4GB RAM & 128GB SSD, Intel Celeron Elkhart Lake J6412, R-touch, HDMI\*1, USB\*4, LAN\*2, COM\*3, DC12-36V power input



AC-DC Power Adapter Input: 100V-240V, Output : 12V/5A; W/2-pin Terminal Block with screws, US Plug

AC-DC Power Adapter Input: 100V-240V, Output : 12V/5A; W/2-pin Terminal Block with screws, EU Plug