

BPC-3070

Arestech

Fanless Embedded Box PC with Intel® Skylake-U Core™ i5-6200U/
Celeron® 3955U Processor and 10 USB Ports



Features

- Intel® Core™ i5-6200U Processor (2.3 GHz) / Celeron® 3955U (2.0 GHz)
- 10 USB and 4 COM ports
- Support 2 M.2 (E key & B key) and 1 Mini PCIe
- -20~70° C Operation Temp.
- Support Desktop, VESA and DIN Rail Mount

Applications

- Embedded Control Systems
- Energy Management
- Intelligent Factory / Industrial 4.0
- Robotic and Automatic
- Retail/ Kiosk /Smart Lockers

→ Packing List

| Description |
|--------------------------------|
| 1 x BPC-3070 |
| 1 x Driver CD |
| 1 x Power Adapter |
| 1 x Desktop/VESA Mounting Kits |

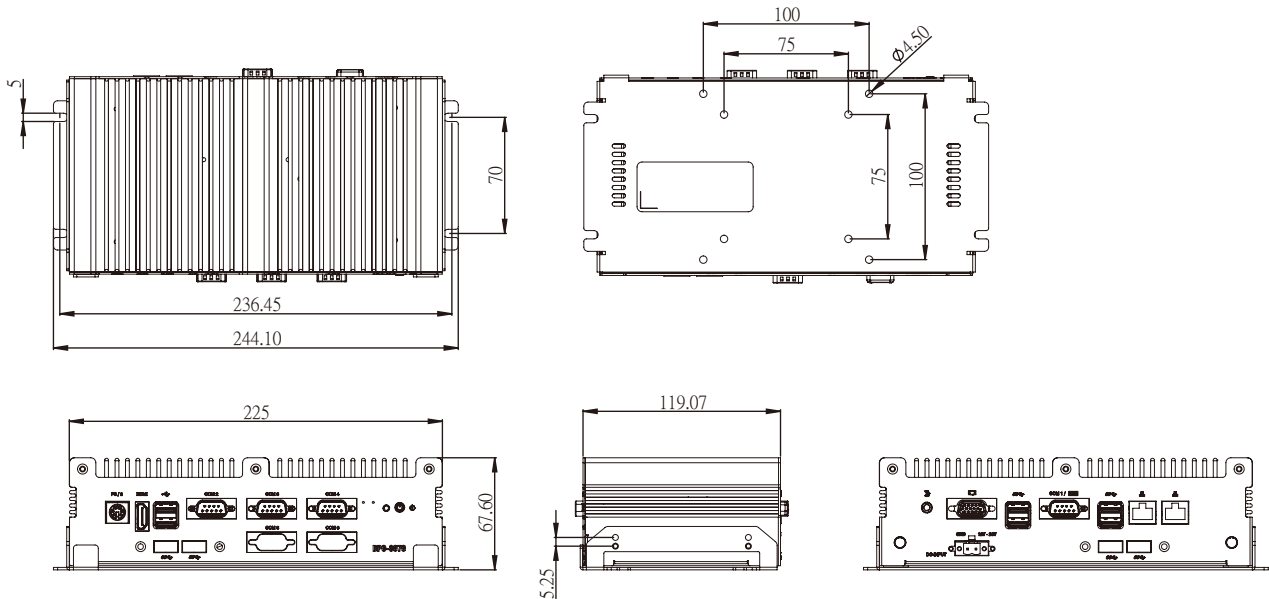
→ Optional Items

| Part No. | Description |
|-----------|---|
| AKT-DIN | DIN Rail Mounting Kits |
| AWD-WF001 | wifi 802.11 b/g/n (1T1R) + 1 antenna, Half size |
| AWD-WF002 | wifi 802.11 b/g/n + BT4.0(1T1R) + 1 antenna(dual band), Half size |
| AWD-3G001 | 3G(HSPA+) + 1 antenna, miniPCe Full size with SIM socket |
| AWD-4G001 | 4G(LTE) + 2 antenna, Mini PCe Full size with SIM socket |

→ Ordering Information

| Part No. | Description |
|--------------|--|
| BPC-3070-1A1 | Intel® Core™ i5-6200U 2.3 GHz w/ 4 COM, 6 USB, 2 GbE, Line out, 1 VGA, 1 HDMI, PS/2 |
| BPC-3070-2A1 | Intel® Core™ i5-6200U 2.3 GHz w/ 4 COM, 10 USB, 2 GbE, Line out, 1 VGA, 1 HDMI, PS/2 |
| BPC-3070-3A1 | Intel® Celeron® 3955U 2.0 GHz w/ 6 COM, 6 USB, 2 GbE, Line out, 1 VGA, 1 HDMI, PS/2 |

→ Dimensions



→ Specifications

| Model | | BPC-3070-1A1 | BPC-3070-2A1 | BPC-3070-3A1 |
|------------------|-----------------------------|--|--|---------------------------------|
| Processor System | CPU | Intel® Core™ i5 6200U Processor | | Intel® Celeron® Processor 3955U |
| | Frequency | 2.3 GHz / 2.8 GHz (Boost) 2 Cores / 4 Threads | | 2.0 GHz, 2 Cores / 2 Threads |
| | L2 Cache | 3 MB | | 2 MB |
| | System Chipset | N/A | | |
| | BIOS | UEFI | | |
| Memory | Technology | Single channel DDR4 2133 MHz SDRAM | | |
| | Capacity | On board 4GB | | |
| | Socket | N/A | | |
| Display | Graphics Engine | Intel® HD 520 Graphics | | |
| | VGA | Up to 1920 x 1200 | | |
| | HDMI | HDMI 1.4a, 4096 x 2304max. resolution | | |
| | Dual Display | VGA + HDMI | | |
| I/O Interface | USB | 4 USB 3.0, 2 USB 2.0 | 8 USB 3.0, 2 USB 2.0 | 4 USB 3.0, 2 USB 2.0 |
| | GPIO | 3 RS-232/485 1 RS-232/422/485 | | 1 RS-232/422/485, 5 RS-232/485 |
| | Serial Port | 8Bit (Optional) | | |
| | PS/2 | 1 | | |
| | Ethernet | Controller | Dual GbE, Intel i211, 10/100/1000 Mbps | |
| Audio | Chipset | Realtek ALC269 High Definition Audio (HD) | | |
| | Connectors | Line out | | |
| Expansion | M.2 | 1 2242 B.key (SATA/PCIe & USB 2.0 & SIM slot) 1 2230 E.Key (PCIe, USB2.0) | | |
| | Mini PCIe | 1 full-size w/SIM socket | N/A | 1 full-size w/ SIM socket |
| Storage | SATAII | 1 (2.5" HDD/SSD) | | |
| Power | Power Type | AT / ATX | | |
| | Power Supply Voltage | 12-28 V DC input (Phoenix Connector), 6.7-1.7 A | | |
| | Power Consumption (Typical) | 2.2 A @ 12 V (24.35 W) | 2.2 A @ 12 V (24.35 W) | 2.2 A @ 12 V (24.35 W) |
| | Power Consumption (Max) | 3.18 A @ 12 V (37.6 W) | 6.38 A @ 12 V (71.8 W) | 3.18 A @ 12 V (37.6 W) |
| Environment | Operational | -20~70° C (-4~158° F) w/ 2.5" Extended Temperature SSD (Humidity: 60° C @ 80% RH Non-condensing) | | |
| | Non-Operational | -40~85° C (-40~185° F) (Humidity: 60° C @ 95% RH Non-condensing) | | |
| | Vibration | 5 Grms, IEC 60068-2-64, random, 5~500 Hz, 1 Oct/min., 1hr/axis, x, y, z 3 axes (w/ SSD only) 1 Grms, IEC 60068-2-64, random, 5~500 Hz, 1 Oct/min., 1hr/axis, x, y, z 3 axes (w/ 2.5" HDD) 50 G, IEC 60068-2-27, half sine, | | |
| | Shock | 11 ms duration (w/ SSD only) 20 G, IEC 60068-2-27, half sine, 11 ms duration (w/ 2.5" HDD) | | |
| Certificate | Certification | CE, FCC Class A | | |
| General | Dimensions (W x H x D) | 225 x 67.6 x 105 mm (8.86" x 2.66" x 4.13") | | |
| | Weight | 2.13 kg (4.70 lb) | 2.63kg (5.8 lb) | 2.30 kg (5.07 lb) |
| | Operating System | Windows 7/8.1/10, WES7-E/P, WE85 | | |